

# User Instruction

- Before use of this respirator, read carefully and understand this User Instruction of Model 1005RR to obtain designed protection.
- Keep this User Instruction as useful reference if you have any questions during usage.

## Replaceable Type Particulate Respirator (Direct connection type, Half facepiece Category: RL2)

# Model 1005RR

Silicone Facepiece

Model Revision 1005RR-04  
Japan National Assay Registration  
No.TM197

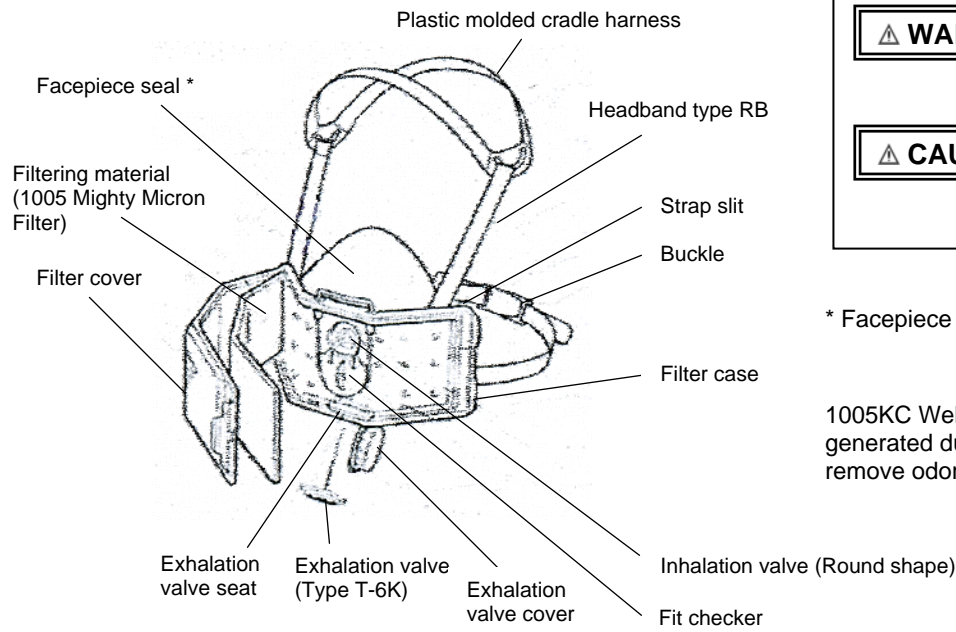
### Scope of applications

Model 1005RR is a particulate respirator designed to protect the wearer from breathing particulates, etc. Regardless of the presence of oil mist, Model 1005RR can be used in the workplaces where:

- Metal fume (including welding fume) diffuses;
- Particulate substances with control concentration of less than  $0.1\text{mg}^3$  diffuse; and/or,
- Any works corresponding to the above working environments.
- Works related to asbestos removal, Category 3.

However, never use Model 1005RR in the environment described as "△DANGER" below.

### Part names and structure



\*Before use, make sure that approval label is attached on the respirator. Approval label is attached on the filter cover.

### For safe and proper usage

The following special messages may appear throughout this User Instruction to warn the wearer of potential hazard. Before reading the User Instruction, please make sure to read the definitions of the special messages and understand the contents.

- △ DANGER** indicates an imminently hazardous situation. Unless following the instructions, there is a high possibility of resulting in **death or serious injury**.
- △ WARNING** indicates a potentially hazardous situation. Unless following the instructions, there is possibility of resulting in **death or serious injury**.
- △ CAUTION** indicates a potentially hazardous situation. Unless following the instructions, there is possibility of resulting in **light injury or damage accident**.

\* Facepiece is available in two sizes: Size M (standard) and Size S.

1005KC Welder's Ozone Filter for 1005RR, designed to remove ozone which is generated during welding, and 1005KB Odor Filter for 1005RR, designed to remove odor such as mercaptan series, are also available (option).

### △ DANGER

- **Do NOT use this respirator in oxygen-deficient environment (where the concentration of oxygen is less than 18%) or workplace where the concentration of oxygen is unknown or toxic gas exists.**  
Misuse will result in death or acute intoxication due to lack of oxygen and/or gas inhalation. Use supplied air respirator in such environment.
- **Do NOT use this respirator in workplace categorized as "Working environment with a possibility of exposure to radioactive materials due to spillage or related emergency works", "Working environment involving asbestos removal Category 1 or 2," "Working environment with a possibility of exposure to dioxin, etc.," or "Any related works."**  
For these works, use proper respiratory protective devices such as particulate respirators categorized as RS3 or RL3.
- **Make sure to use Model 1005RR in normal temperature.**

### How to use

#### Inspections prior to use

Make sure to perform the following inspections before donning the respirator. (Refer to "Inspection Procedure" (Page 4) for more details).

Check Points	Troubleshooting
Are filtering material, inhalation valve and exhalation valve properly installed?	Install the parts properly.
Are there any damages such as cracks, distortions and/or scars on plastic parts, inhalation valve, exhalation valve and/or facepiece?	Replace the parts or respirator with a new one.
Are there any damages such as distortion and hole or remarkable dirt on filtering material?	Replace the filtering material with a new one.
Is headband well elastic without any damage and/or deterioration?	Replace the headband with a new one.

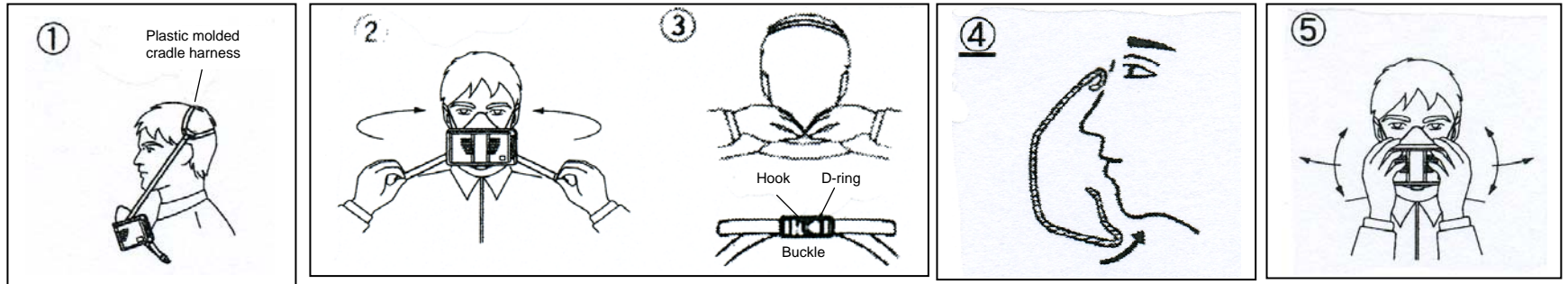
### △ WARNING

- Make sure that facepiece is well fit on the face. Check the fitness according to the "Performing fit test." (Page 2).
- Airtight cannot be maintained under the following conditions as toxic substance may leak into the facepiece. Do NOT use this respirator until any improvements are performed.
  - There is beard, sideburns and/or hair that comes inside the face-contacting area of the respirator.
  - There is mustache and/or chin beard that interfere the operation of the exhalation valve.
- Do NOT use the respirator if the wearer has a disorder in respiratory or circulatory system, or is claimed inappropriate by a doctor.

## Fitting instructions

Perform in clean place without hazardous substance.

- ① Place the plastic molded cradle harness on your crown of head.
- ② Hold both ends of the headband.
- ③ Pull them evenly so that the respirator approaches to your face. Fasten the buckle on the back of your neck.
- ④ Place the facepiece over the bridge of your nose so that it stays completely over face, and then, place it over chin.
- ⑤ Adjust the respirator position on face for stable position by aligning it left and right, up and down.
- ⑥ Make sure to perform fit test after donning is completed.
- ⑦ To remove the respirator, remove the buckle.



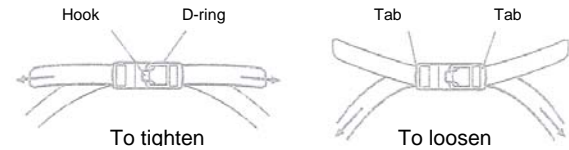
### < Adjustment of headband length >

Adjust the length of the headband so that there is no slight opening between respirator and face. Also make sure not to over-tighten the headband to avoid oppression.

Perform the adjustment of headband length according to the following procedure.

\*Make sure that the headband is evenly tightened.

- ① To tighten, pull the headband on the hook side and D-ring side.
- ② To loosen, release the tension of the headband by lifting both tabs of the hook and D-ring.



#### CAUTION

- If the headband is over-tightened, feeling of fitness may worsen, and the wearer may experience a feeling of discomfort after working for a long time.
- After adjustment, make sure to perform fit testing.

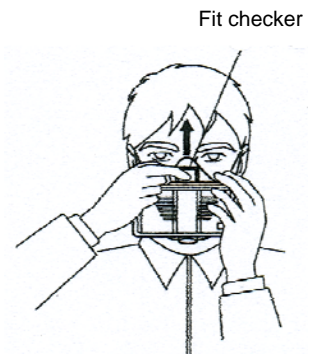
#### WARNING

- If the length of the headband cannot be adjusted, make the adjustment following <Adjustment of headband length>.
- Make sure that the headband is well elastic and has enough strength for tightening.
- When donning, make sure that the length of the headband on the right and left is even.  
If the headband is over-extended, or the length of one side of the headband is much longer than the other, it may get caught into machines, etc.
- The wearer with allergic tendency and/or fragile skin may suffer from rough skin surface, eczema, etc. by using the respirator. And the similar symptom may occur due to sweat, particulates and/or dirt attached on the surface of the facepiece. In such case, stop using the respirator and consult with a doctor.
- Do NOT wear the respirator on towel applied over face.  
Particulates may leak into the facepiece.
- In case proper donning cannot be maintained, such as dislocation of the respirator while working, move to a clean area without toxic substance and don the respirator properly again.

### Performing fit test

Perform fit test in clean place without hazardous substance.

- ① Don the respirator, completely lift the fit checker up and inhale. Good fit is obtained if the facepiece is pressed against the wearer's face.
- ② Good fit is not obtained if the wearer feels the leakage of air between facepiece and face. Re-inspect the respirator (inspection of various parts (mainly exhalation valve and installation condition of filter), adjustment of headband, adjustment of the position of the respirator, etc.) and perform ① again.
- ③ If good fit is obtained, make sure to press down the fit checker before entering into the workplace.



#### WARNING

- Make sure to perform fit test prior to each use.  
If not donned properly, particulates may leak from the opening between face and facepiece and be inhaled.
- Make sure that the respirator would not be dislocated while pressing down the fit checker.
- Do NOT handle fit checker violently.  
Fit test may not be performed properly.

## Replacement of headband

Replace headband in clean place without hazardous substance.

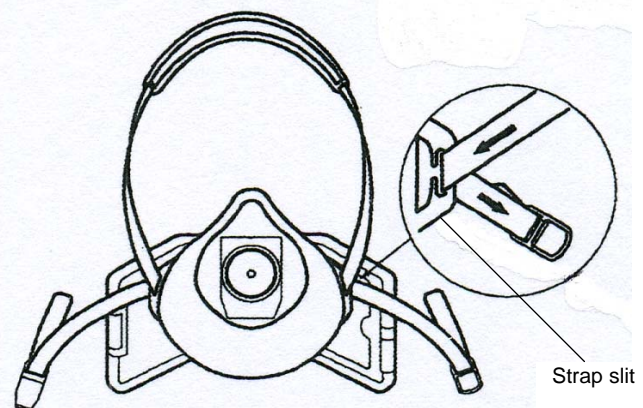
### Replacement schedule

Replace the headband with a new one when:

- ⊙ Crack, distortion, damage, etc. are observed on buckles and/or plastic-molded cradle harness;
- ⊙ Buckles cannot be disconnected easily or securely fastened;
- ⊙ Headband is not fully-elastic; and/or,
- ⊙ Headband does not have enough strength to hold the respirator.

### Replacement procedure

- ① Remove the headband straps through the strap slit located on the left/right sides of the headband holders.
- ② To install a new headband, insert the straps of the new headband through the strap slits from the facepiece side.



Caution: Be sure with strap direction.  
Do NOT twist straps.



## Replacement of filtering material (filter)

Replace filtering material in clean place without hazardous substance.

### Replacement schedule

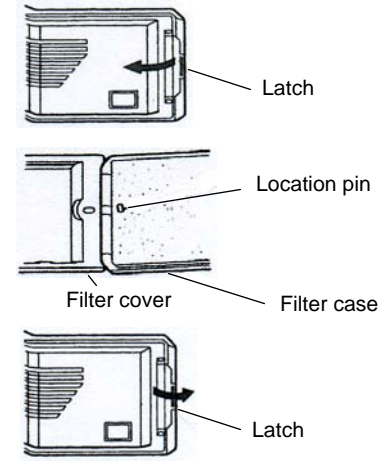
Replace filtering material when:

- ⊙ Breathing becomes difficult.
- ⊙ Filtering material is damaged, distorted, and/or gets hole, and/or;
- ⊙ Filtering efficiency gets remarkably decreased.

① Release latch of filter cover and remove used filtering material. \*1

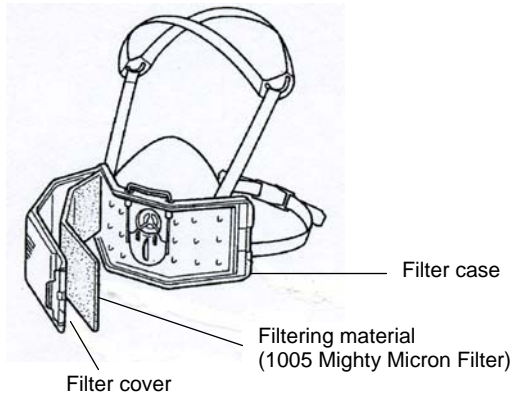
② Place the location hole on the filtering material onto location pin on the filter case. Align the filtering material so that it completely stays inside the filter case without deformation. \*2

③ Close the filter cover. Turn the latch to the arrow direction shown on the illustration. An audible click sound should be heard as the filter case is firmly closed.



### Replacement procedure

Filtering material for replacement is packaged by one piece in each bag. Take the new filtering material out of the bag and replace according to the following procedure.



- \*1 Dispose of the used filtering material in a sealed container or bag so that captured particulates not diffuse.
- \*2 When 1005KC Welder's Ozone Filter for 1005RR (option) or 1005KB Odor Filter for 1005RR (option) is used, make sure to place the KC/KB Filter between filter case and filtering material.

### WARNING

- Do NOT re-use the used filtering material by flipping it over. Particulates captured by the filtering material may diffuse and be inhaled. It could cause pneumoconiosis, or in some cases, addiction depending on the type of particulates inhaled.

## Replacement of inhalation valve / exhalation valve

Replace inhalation valve / exhalation valve in clean place without hazardous substance.

### Replacement schedule of inhalation valve

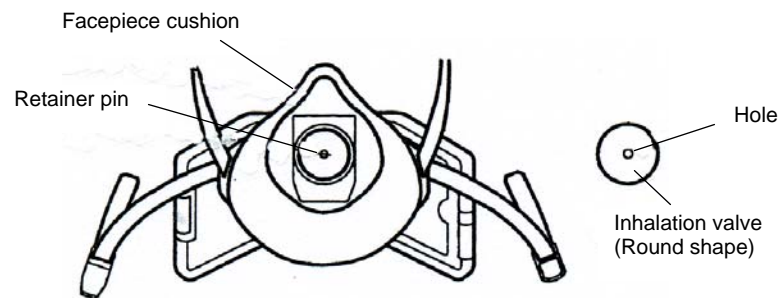
⊙ Replace when crack, distortion, damage, dirt, and/or sticky surface due to rubber deterioration is observed.

### Replacement procedure of inhalation valve

- ① Remove worn inhalation valve from retainer pin of the valve seat located inside of the respirator.
- ② Place a new valve in its position. Widen the hole located at the center of the valve with fingers so that the retainer pin easily goes through the hole.

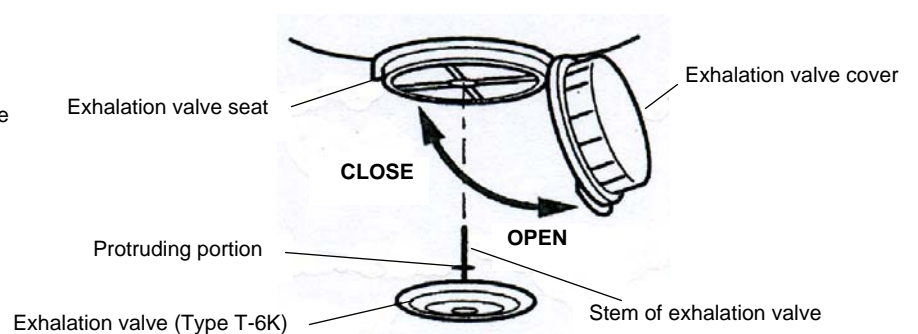
### Replacement schedule of exhalation valve

⊙ Replace when crack, distortion, scar, damage such as hole, dirt, and/or sticky surface due to rubber deterioration is observed.



### Replacement procedure of exhalation valve

- ① Open exhalation valve cover.
- ② Pinch the used exhalation valve with fingers and remove it from the respirator.
- ③ To install a new exhalation valve, insert the stem of the new exhalation valve into the hole located at the center of the exhalation valve seat. With fingers, pinch the stem of the exhalation valve which comes out inside of the respirator, and pull it until the protruding portion on the stem comes out.
- ④ Make sure that exhalation valve is properly installed.
- ⑤ Completely close the exhalation valve cover.



### WARNING

- Make sure that the exhalation valve not get scarred.

## Optional accessories and usage

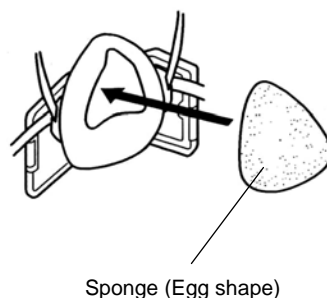
Perform in clean place without hazardous substance.

### ●Sponge (Egg shape)

Use when the wearer feels discomfort on moisture or sweat accumulated inside of the respirator.

### How to use

Insert the sponge with its narrow end up into the inside of the facepiece. Make sure that it does not interfere the movement of the exhalation valve.



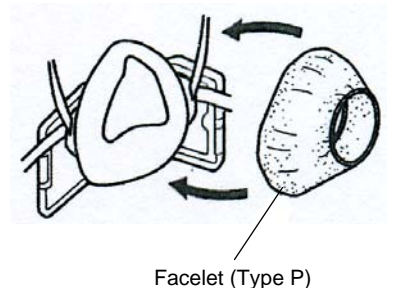
### ●Facelet (Type P)

Facelet avoids irritation due to sweat on skin which makes contact with the facepiece.

### How to use

Expand the rim of the facelet and cover it over the facepiece evenly so that it stays without crimp.

\*Make sure that the facepiece would not get deformed.



### WARNING

- Avoid using the facelet unless there is a possibility where the use of the particulate respirator causes eczema on facial skin and sufficient airtight is obtained on facepiece. The use of the facelet may become a cause of leakage of particulates into the facepiece.

Check points	Criteria	Troubleshooting	
Facepiece seal	No cracks, no distortions, no holes, no sticky surface due to rubber deterioration and/or no remarkable dirt are found.	Replace the respirator with a new one. Clean the respirator if dirt and /or foreign object attached are found.	
Filter case • Filter cover	Check if the filtering material is installed and securely stays inside the filter case with the use of latch. No cracks, no distortions and/or no remarkable dirt are found.		
Exhalation valve seat Exhalation valve cover	No cracks, no distortions, no scars, and/or no remarkable dirt are found.		
Fit checker	Fit checker moves smoothly and fit test can be performed at ease. No cracks and/or no damages such as distortions are found.		
Inhalation valve	No cracks, no distortions, no damages such as scars, no sticky surface due to rubber deterioration and/or no remarkable dirt are found.	Replace the inhalation valve with a new one. Clean the part if dirt is found.	
Exhalation valve	No cracks, no distortions, no scars, no damages such as holes, no sticky surface due to rubber deterioration and/or no remarkable dirt are found. No foreign objects such as particulates are found.	Replace the exhalation valve with a new one. Clean the exhalation valve if remarkable dirt and/or foreign objects such as particulates are found.	
Headband	Straps	Fully-elastic. It keeps necessary strength to hold respirator.	Replace the headband with a new one.
	Plastic molded cradle harness, Buckles	No cracks, no distortions, and/or no chips are found. Buckles can be disconnected at ease and can be securely fastened.	
Filtering material	External appearance	No distortions, no holes, no remarkable dirt and/or no excessive moisture are found.	Replace the filtering material with a new one.
	Inhalation resistance	Breathing is not difficult when donning the respirator.	

For cleaning, refer to "Cleaning after use".

**● Specifications**

	Internal standard	Average
Filtering efficiency (Test particulate: DOP)	95.0% or more	99.3%
Inhalation resistance	48±25Pa	53Pa
Exhalation resistance	32±20Pa	33Pa
Increased value of inhalation resistance	-	69Pa
Increased value of carbon dioxide concentration / Dead space	0.6% or less / 240cm <sup>3</sup> or less	0.48% / 192cm <sup>3</sup>
Weight	147±20g	147g

The values above represent the performance level with the use of standard headband, and without optional parts, etc.

**Replacement parts**

Call Koken or local distributor to purchase the following replacement parts.

- Filtering material.....1005 Mighty Micron Filter
- Inhalation valve .....Inhalation valve round shape
- Exhalation valve .....Exhalation valve type T-6K
- Headband.....Headband type RB.
- Sponge.....Sponge egg shape (50pcs / bag)
- Cloth to avoid skin irritation due to sweat  
.....Facelet type P (5pcs / bag)

**Optional parts (sold separately)**

- Auxiliary filter to remove ozone odor
- KC filter ..... 1005KC Welder's Ozone Filter for 1005RR (5pcs / bag)
- Auxiliary filter to remove mercaptan odor
- KB filter ..... 1005KB Odor Filter for 1005RR (5pcs / bag)

**1. Cleaning after use.**

Perform cleaning in clean place without toxic substance.

**● Filtering material**

When time for replacement is approaching, dispose of the used filtering material in sealed bag without disassembling or cleaning

**⚠WARNING**

- NEVER attempt the followings, or the filtering material could be distorted or damaged, or the filtering performance be decreased.
- Do NOT apply unnecessary impact on the filtering material to get rid of captured particulates, for example.
- Do NOT use compressed air to blow away captured particulates attached on the filtering material. Do NOT vacuum captured particulates attached on the filtering material.
- Do NOT wash the filtering material in water.

**⚠WARNING**

- Do NOT re-use cleaned filtering material that was exposed to highly toxic particulates such as arsenic, chrome, asbestos, etc. (Dispose of the filtering material after each use).

**● Parts other than filtering material**

**⚠CAUTION**

- Make sure to remove the filtering material before cleaning respirator.
- Gently wipe attached particulates and dirt such as sweat with a dry or slightly wet cloth. Be sure not to damage the respirator.
- Clean remarkable dirt with mild detergent diluted with warm water. Be careful not to scratch respirator, especially for the exhalation valve seat, inhalation valve and exhalation valve. Then remove detergent by rinsing completely.
- Wipe out residual water after cleaning and dry it out of direct sunlight.
- Disinfect facial contact area and inside of the facepiece by wiping it with alcohol-soaked cloth. Then wipe the alcohol out completely.

**⚠CAUTION**

- Always keep facial contact area clean.
- Dirt attached on the facial contact area could cause rough skin and skin irritation.
- If alcohol for disinfection is used, dry the respirator completely or wipe water completely after rinsing it with water.

**2. Storage**

**● Place for storage**

After cleaning, store the respirator in a dry place without heavy temperature fluctuations and/or high humidity. Do NOT pile up the cleaned respirators, as the facepiece, headband, etc. could be cracked and/or distorted. Avoid a direct sunlight for storage. Prepare an exclusive storage place so that the storage condition can be checked at ease.



International Trade Division  
7, Yonbancho, Chiyoda-ku, Tokyo 102-8459,  
Japan  
Telephone: 81-3-5276-1925  
Facsimile: 81-3-3265-1976